

# CV-110/M1001

10.4" TFT SVGA 4:3 Monitor with Touch (Projected Capacitive / Resistive 5-wire), 1x USB, 1x COM, 1x VGA, 1x DVI-D and 1x DisplayPort



## Key Features

- 10.4" TFT SVGA 4:3 LCD with Resistive 5-wire / Projected Capacitive Touch
- Designed with Aluminum Die-Casting Front Frame
- 1x USB, 1x COM, 1x VGA, 1x DVI-D, 1x DisplayPort, 1x Audio
- IP 65 Compliant Front Panel
- Support Panel / Wall / VESA Mounting
- Convertible Display System (CDS) Supported
- Built-in Two 5W Internal Speakers

## »» Overview

The 10.4" touch monitor with resistive 5-wire / projected capacitive touch screen offers resolution up to 800x600 (SVGA) and 400 nits brightness. CV-110/M1001 features flat surface and IP65 dust/waterproof front panel. In addition, designed with aluminum die-cast front frame, it is rugged and reliable for industrial environment. CV-110/M1001 supports Convertible Display System (CDS) which allows to configure, upgrade and maintain your touch monitor easily.

CV-110/M1001 supports both digital and analog signal input via three types of display interface: VGA, DVI-D and DisplayPort. Touch screen can be connected with USB or COM port. It has OSD function for adjusting the viewing options of display. With support to wide range power input from 9-48VDC, CV-110/M1001 is designed as an ideal solution for industrial application.

## »» Specifications

### Display

- LCD Size: 10.4" (4:3)
- Max. Resolution: 800 x 600
- Brightness (cd/m<sup>2</sup>): 400
- Contrast Ratio: 700 : 1
- LCD Color: 16.2M
- Pixel Pitch (mm): 0.264 (H) x 0.264 (V)
- Viewing Angle (H-V): 160 / 130
- Backlight MTBF: 50000 hrs (LED Backlight)

### Touch

- Resistive 5-wire Touch for CV-110R/M1001 Only)
- Projected Capacitive Touch for CV-110C/M1001 Only)

### I/O Ports

- 1x VGA
  - 1x DVI-D
  - 1x DisplayPort
  - 1x Audio Input
  - 1x USB 2.0
  - 1x COM Port (Resistive Touch Only)
- (USB & COM Port are reserved for the connection to enable touch usage only)

### Other Features

- Audio: AMP 5W + 5W (Internal Speaker)
- OSD Function: LCD On/Off, Auto, Menu, Up and Down
- Multi-language OSD Function

**Power**

- 1x 3-pin Terminal Block Connector with Power Input 9~48VDC
- 1x Optional AC/DC 12V/5A, 60W Power Adapter

**Environment**

- Operating Temperature: Ambient with air flow: -5°C to 60°C (with Industrial Grade Peripherals)
- Storage Temperature: -20°C to 75°C
- Relative humidity: 10%~95% (non-condensing)
- IP Level: IP 65 Compliant Front Panel

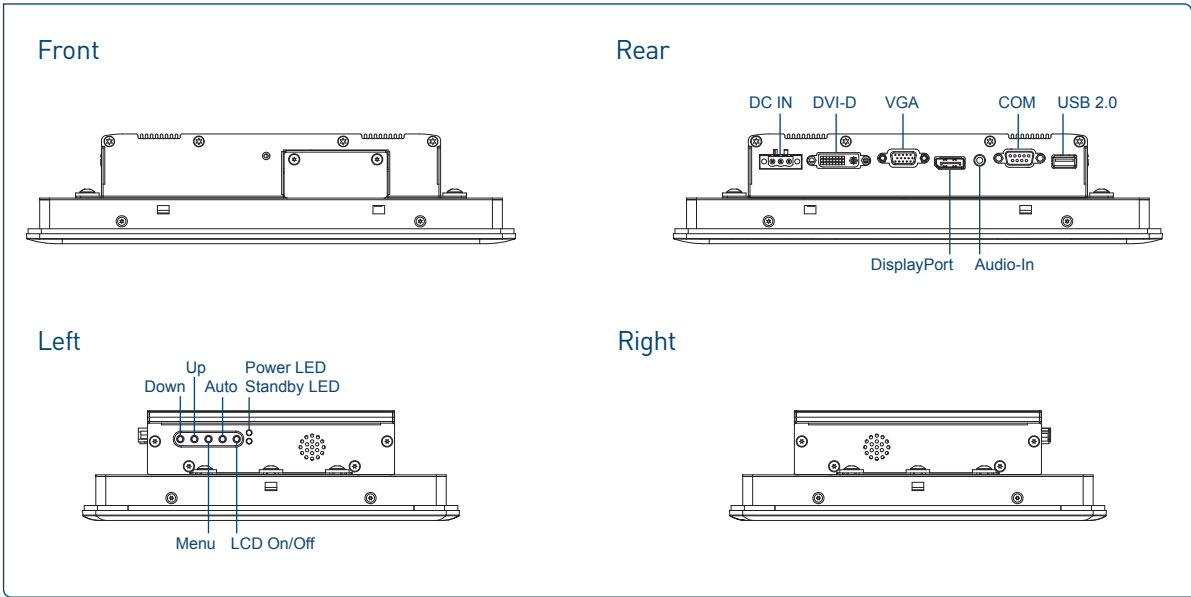
**Physical**

- Dimension (WxDxH, mm): 295 x 227.3 x 66 mm
- Weight: 3.36 kg
- Construction Front Panel: Die-Casting Flat Surface
- Mounting: Panel / Wall / VESA Mounting

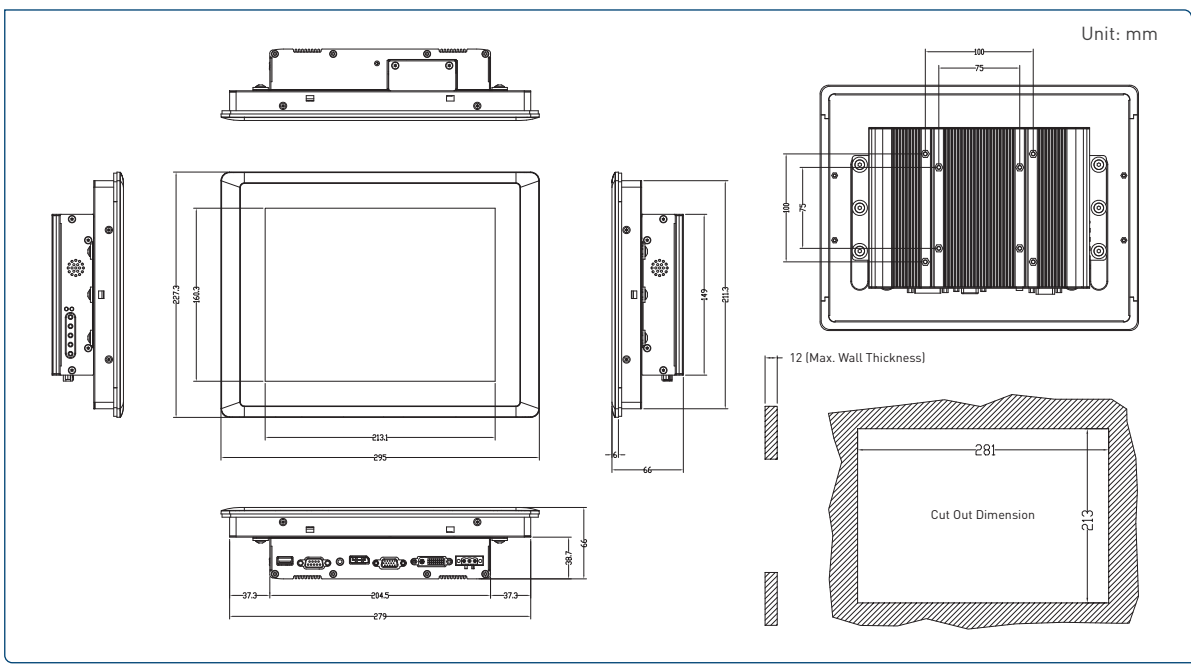
**Certification**

- CE
- FCC Class A

»» External I/O Mechanical Layout



»» Dimensions



»» Ordering Information

Available Models

Model No.	Product Description
CV-110R/M1001	10.4" TFT SVGA 4:3 Monitor with <b>Resistive 5-wire Touch</b> , 1x USB, 1x COM, 1x VGA, 1x DVI-D and 1x DisplayPort
CV-110C/M1001	10.4" TFT SVGA 4:3 Monitor with <b>Projected Capacitive Touch</b> , 1x USB, 1x COM, 1x VGA, 1x DVI-D and 1x DisplayPort

Package Checklist

CV-110/M1001
<ul style="list-style-type: none"> <li>• CV-110/M1001 Touch Monitor x 1</li> <li>• Panel Mounting Kit x 6</li> <li>• Utility DVD Driver x 1</li> <li>• Power Terminal Block Connector (Female) x 1</li> <li>• USB Cable x 1</li> <li>• VGA Cable x 1</li> <li>• Screw Pack x 1</li> </ul>

Optional Accessories

Model No.	Description
GSM60A12-CIN	Adapter AC/DC 12V 5A 60W with 3pin Terminal Block Plug 5.0mm Pitch, GSM60A12-P1J
DVI-D Cable	DVI-D male to DVI-D male Cable 1.8M
SL2-SL3	US 2 heads power cord, US B type to IEC C13, SVT 18AWG/3C Black 1.8M SL-2+SL-3
SL6-SL3	EU 2 heads power cord, EU G type to IEC C13, H05VV-F 0.75mm2/3G Black 1.8M SL-6+SL-3
QP026-SL3	UK 2 heads power cord, UK I type to IEC C13 ,H05VV-F 0.75mm2/3G Black 1.8M QP026+SL-3