



DLD2708-B
27" TFT LCD, 1600nits LED Backlight, 1920x1080

The **DLD2708-B** is a 27 inch industrial grade sunlight readable LCD, with high brightness 1600 nits, it produce sharp images, crisp text and lifelike colors. The Durapixel LED backlight technology ensures high reliability and low power consumption, suitable for outdoor application, kiosk, factory automation, military, transportation and gaming application.

Key Features

- High Brightness 1600 nits
- Sunlight Readable
- LED Backlight
- Low Power Consumption
- BL MTBF: 100,000 hours



Specifications

Model Name	DLD2708-B
Description	27" TFT LCD, 1600 nits LED Backlight, 1920x1080
Screen Size	27"
Display Area (mm)	597.888(H)x336.312(V)
Brightness	1600 cd/m ²
Resolution	1920x1080
Aspect Ratio	16 : 9
Contrast Ratio	900 : 1
Pixel Pitch (mm)	0.3114(H)x0.3114(V)
Pixel Per Inch (PPI)	81
Viewing Angle	178°(H),178°(V)
Color Saturation (NTSC)	85%
Display Colors	16.7M
Response Time (Typical)	14ms
Panel Interface	LVDS
Input Interface	VGA, DVI-D, DP
Input Power	DC12V
Power Consumption	46W
OSD Key	4 Keys (Power Switch, Menu, +, -)
OSD Control	Brightness, Color, Contrast, Auto Turing, H/V Position...etc
Dimensions (mm)	625x363.5x45.1
Bezel Size(U/B/L/R)	13.7/13.7/13.7/13.7 mm
Weight (Net)	6.2kg
Mounting	100x100, 200x100
Operating Temperature	0 °C ~ 50 °C
Storage Temperature	-20 °C ~ 60 °C

DLD= Panel + LED Driving Board + AD Control Board + Chassis

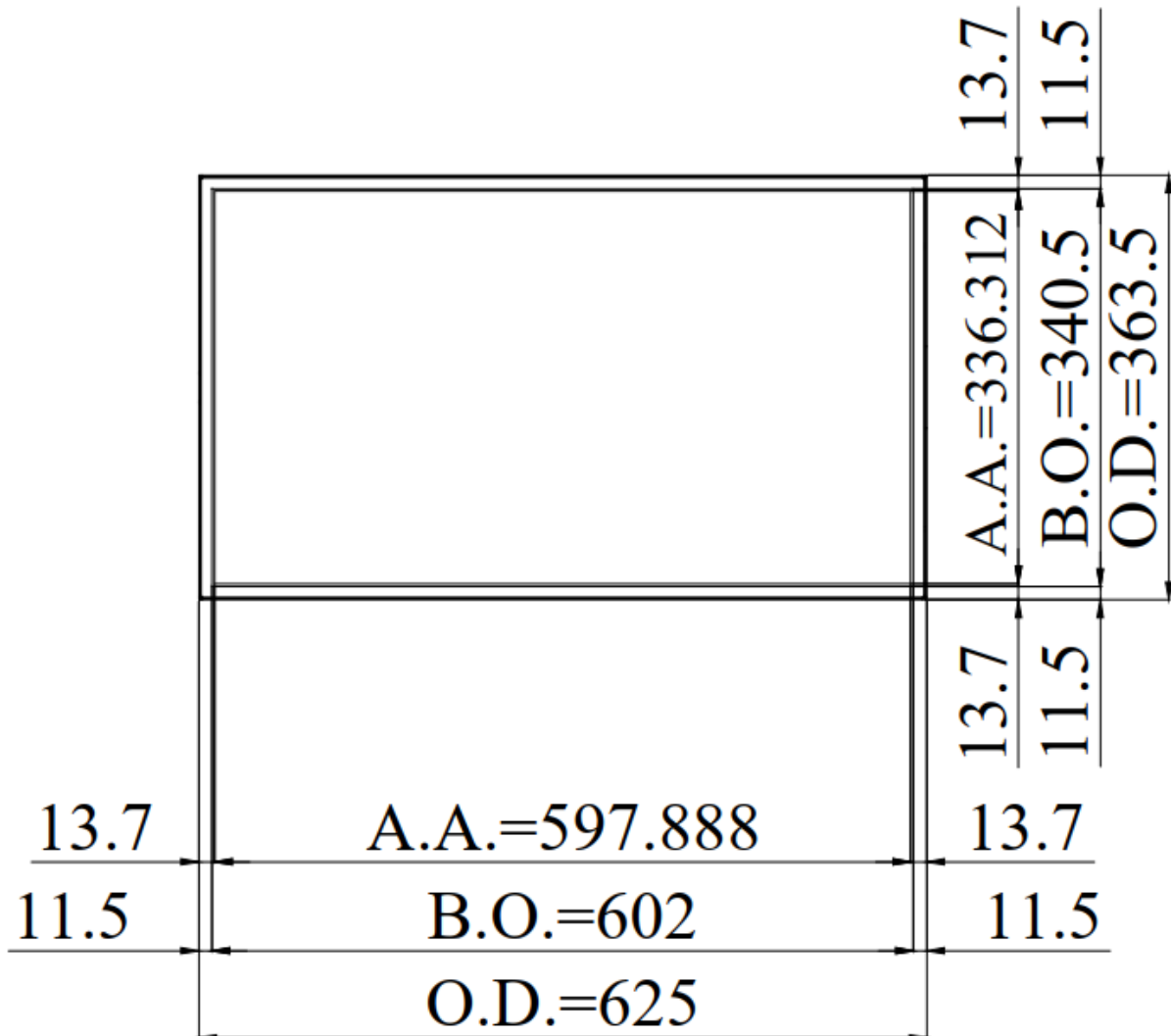
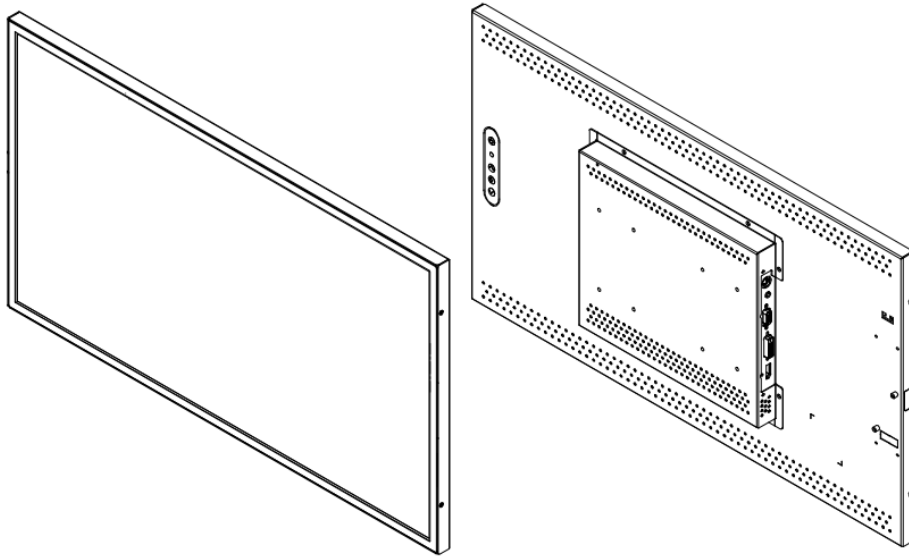
*Specifications are subject to change without notice.
 All brands or product names are trademarks or registered trademarks of their respective companies.*

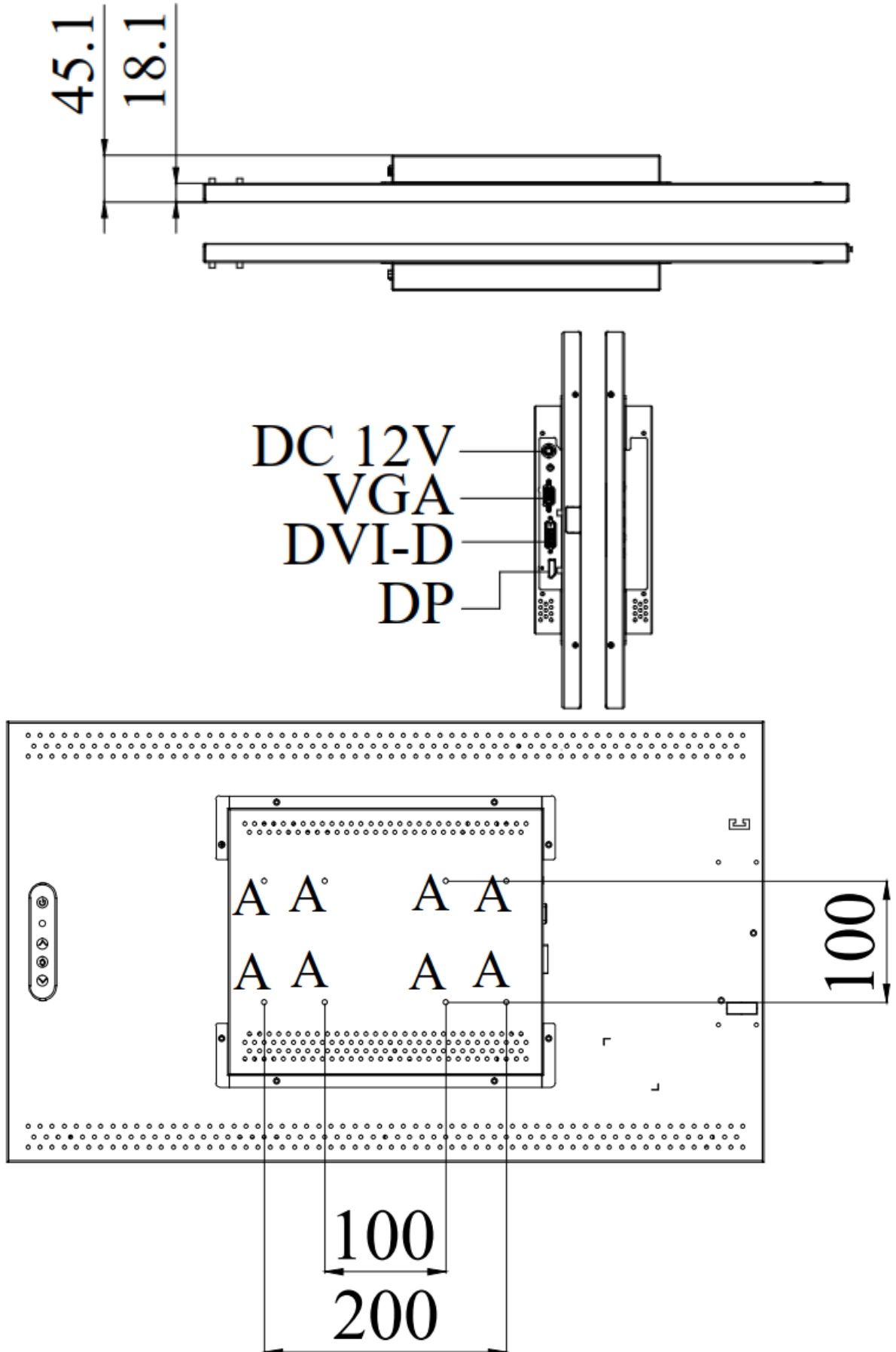


Mechanical Drawing

Outline Dimensions

Unit: mm







NOTE :

O.D. : OUTLINE DIMENSION

B.O. : BEZEL OPENING

A.A. : LCD ACTIVE AREA

A : 8-M4_USER HOLE_MAX. DEPTH= 6 mm

Ordering Information

Part Number	Description
DLD2708-BNB-I11	27",1600nits,1920x1080,LID27A,AD6038GDP,O/B,DC12V,3in1,V2

Optional Accessories

Part Number	Description
810618301010	CABLE,POWER,AC,1830mm USA type
810618301090	CABLE,POWER,AC,1830mm Europe type
810618301050	CABLE,POWER,AC,1830mm UK type
810618301170	CABLE,POWER,AC,1830mm Australia type
810618301031	CABLE,POWER,AC,1830mm Japan type

By Customer Request

Touch	PCT (Multi-Touch)
Glass	Tempered glass, AR coating.....