

Features

- 17" Industrial Compact Size Panel PC
- Intel Apollo Lake N4200/ N3350 (option)
- On Board 4GB/ 8GB DDR3L 1600MHz
- Flat front panel touch screen
- IP66 compliant front panel
- Optional projected capacitive touchscreen support 7H anti-scratch surface
- DC 9~36V wide-ranging power input
- High Brightness 1,000 nits for option

Specifications

System	
CPU	Onboard Intel Apollo Lake N4200 (4 Core, 1.1GHz) / N3350 (2 Core, 1.1GHz) (option)
System Chipset	SoC
Memory	Onboard 4GB/ 8GB (option) DDR3L 1600MHz

I/O Port	
USB	2 x USB 3.0 type A
Serial / Parallel	1 x DB-9 RS-232/422/485, COM1 (Default RS-232) 1 x RS-232 DB-9, COM2
Audio	1 x Audio Line Out
LAN	2 x GbE LAN RJ-45
Power	1 x 3-pin DC power input terminal 1 x 2-pin connector for power on/off

Option	
VESA Stand	4G LTE/Wi-Fi/BT
4 x USB 2.0 type A(TB-528U4)	4 x USB 2.0 type A + 1 x Mini PCIe + 1 SIM slot (TB-528U4ME1)
1 x COM(RS-232) + 2 x USB 2.0 (TB-528C1U2)	1 x COM(RS-232) + 2 x USB 2.0 + 1 x Power Button (TB-528C1U2P1)
2 x COM(RS-232) (TB-528C2)	2 x COM(RS-232) + 1 x Mini-PCIe slot + 1 x SIM slot (TB-528C2ME1)
2 x COM(RS-232/485, isolated) (TB-528C2I)	2 x CAN (TB-528CAN2)
1 x LAN + 2 x USB 2.0 (TB-528E1U2)	1 x LAN + 2 x USB 2.0, 45W PoE (TB-528E1U2UPOE)
UPS Battery 21Wh/10.8Wh/1.95Ah(3S1P)	System is only allowed to build in either I/O board TB-528 PoE series or UPS battery

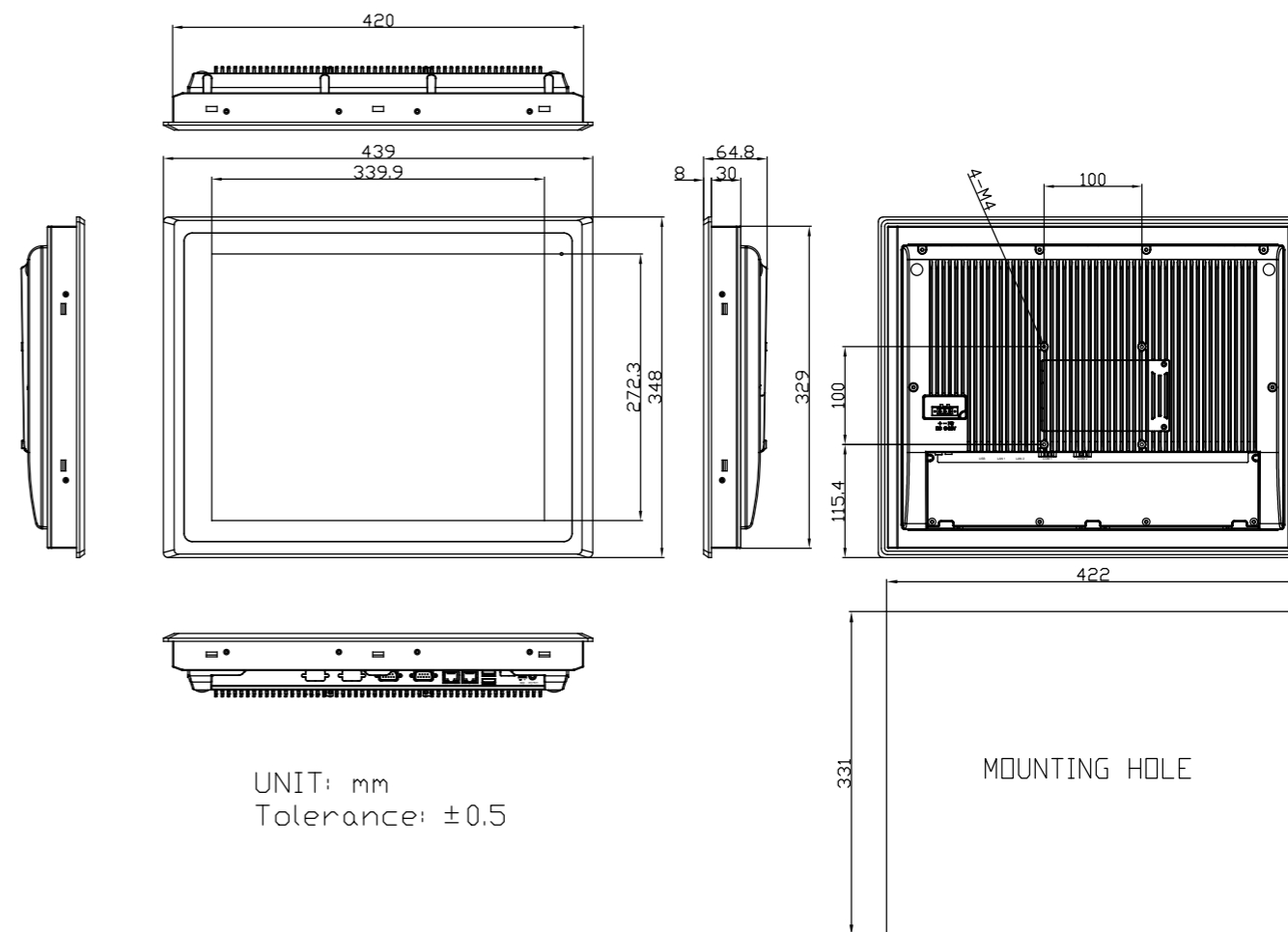
Storage Space	
HDD	1 x 2.5" SATA HDD bay for SATA3 HDD (Easy Accessible)

Expansion	
Expansion Slot	1 x Internal Mini-PCIe slot full size 1 x SIM card holder / Micro SD card reader

Display	Standard	High Brightness Optional
Display Type	17" TFT-LCD	17" TFT-LCD
Max. Resolution	1280 x 1024	1280 x 1024
Max. Color	16.2M	16.7M
Luminance (cd/m <sup>2</sup> )	350	1000
View Angle	170(H) / 160(V)	170(H) / 160(V)
Contrast	1000:1	1000:1
Backlight Lifetime	30,000 hrs	50,000 hrs

Touch Screen	
Type	Resistive Touch (for AR Model) Projected Capacitive Touch (for AP Model) Glass (for AG model)
Interface	USB
Light Transmission(%)	Resistive Touch: over 80% Projected Capacitive Touch: over 90%

Dimensions



Power	
Power Input	DC 9~36V
Power Consumption	ARCHMI-817AR: 41W (MAX)

Mechanical	
Color	RAL 9007
Construction	Aluminum front bezel/ Aluminum die-casting for back cover
Mounting	Panel Mount, VESA 100 x 100
Dimensions (WxHxD)	439 x 348 x 64.8 mm
IP Rating	IP66 Compliant Front Bezel
Net Weight	6.3 kg

Environmental	
Operating Temperature	0~50°C
Storage Temperature	-30~70°C
Humidity	10 to 95%@ 40°C, non-condensing
Certificate	CE/FCC Class A

Operating System Support	
Windows 10 IoT	

