

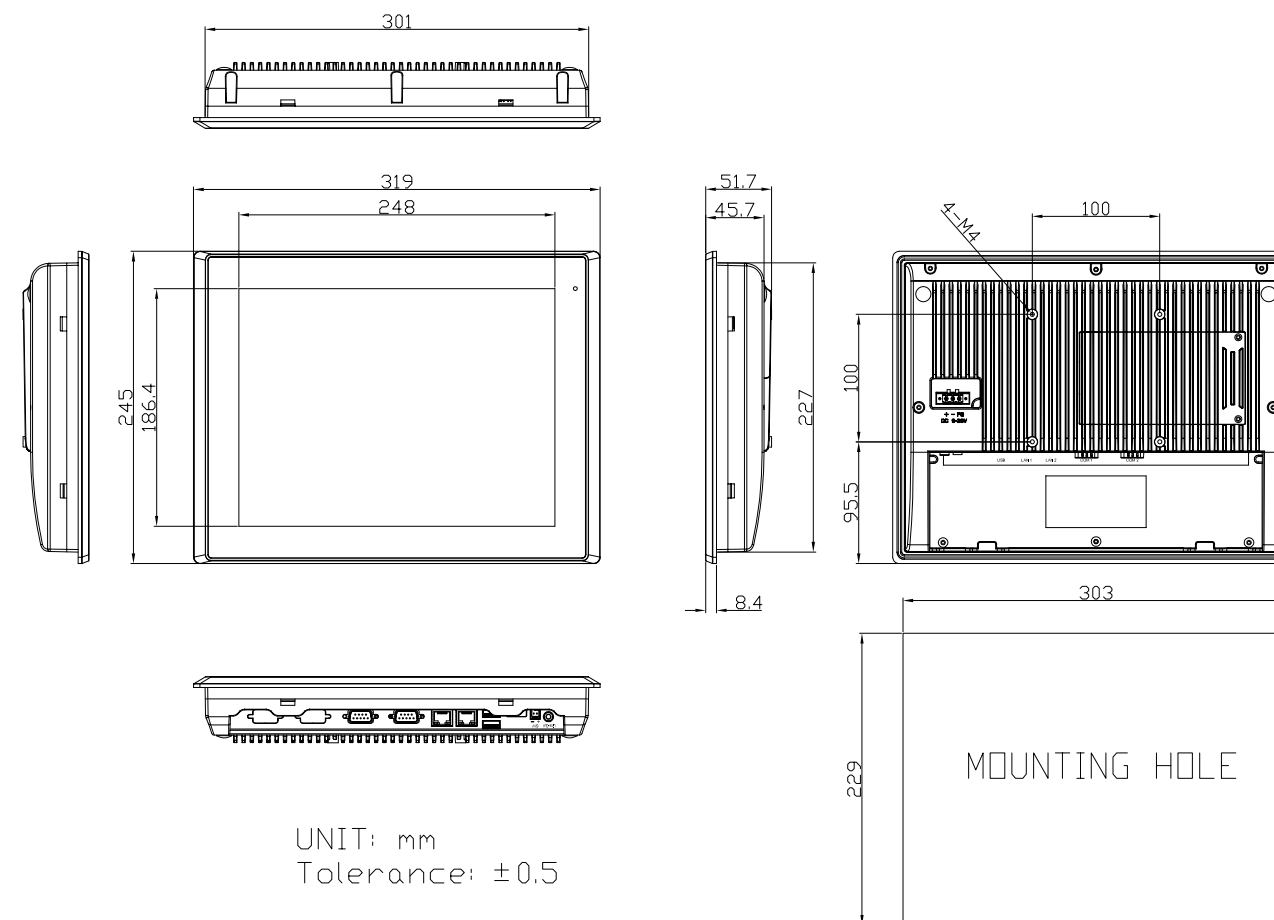
Features

- 12.1" Industrial Compact Size Panel PC
- Intel Apollo Lake N4200/ N3350 (option)
- On Board 4GB/ 8GB DDR3L 1600MHz
- Flat front panel touch screen
- IP66 compliant front panel
- Optional projected capacitive touchscreen support 7H anti-scratch surface
- DC 9~36V wide-ranging power input
- High Brightness 1,000 nits for option

Specifications

| System | | | |
|--------------------------------|--|--------------------------|---------------|
| CPU | Onboard Intel Apollo Lake N4200 (4 Core, 1.1GHz) / N3350 (2 Core, 1.1GHz) (option) | | |
| System Chipset | SoC | | |
| Memory | Onboard 4GB/ 8GB (option) DDR3L 1600MHz | | |
| I/O Port | | | |
| USB | 2 x USB 3.0 type A | | |
| Serial / Parallel | 1 x DB-9 RS-232/422/485, COM1 (Default RS-232) 1 x RS-232 DB-9, COM2 | | |
| Audio | 1 x Audio Line Out | | |
| LAN | 2 x GbE LAN RJ-45 | | |
| Power | 1 x 3-pin DC power input terminal 1 x 2-pin connector for power on/off | | |
| Option | VESA Stand 4G LTE/Wi-Fi/BT 4 x USB 2.0 type A(TB-528U4) 4 x USB 2.0 type A+1 x Mini PCIe + 1 SIM slot (TB-528U4ME1) 1 x COM(RS-232) + 2 x USB 2.0 (TB-528C1U2) 1 x COM(RS-232) + 2 x USB 2.0 + 1 x Power Button (TB-528C1U2P1) 2 x COM(RS-232) (TB-528C2) 2 x COM(RS-232) + 1 x Mini-PCIe slot + 1 x SIM slot (TB-528C2ME1) 2 x COM(RS-232/485, isolated) (TB-528C2I) 2 x CAN (TB-528CAN2) 1 x LAN + 2 x USB 2.0 (TB-528E1U2) 1 x LAN + 2 x USB 2.0, 25W (TB-528NE1U2POE)* 1 x LAN + 2 x USB 2.0, 25W (TB-528E1U2POE)* 1 x LAN + 2 x USB 2.0, 45W PoE (TB-528E1U2UPOE) UPS Battery 21W/10.8Wh/1.95Ah(3S1P) System is only allowed to build in either I/O board TB-528 series or UPS battery | | |
| Storage Space | | | |
| HDD | 1 x 2.5" SATA HDD bay for SATA3 HDD (Easy Accessible) | | |
| Expansion | | | |
| Expansion Slot | 1 x Internal Mini-PCIe slot full size 1 x SIM card holder / Micro SD card reader | | |
| Display | | | |
| | Standard | High Brightness Optional | |
| Display Type | 12.1" TFT-LCD | 12.1" TFT-LCD | |
| Max. Resolution | 800 x 600 1024 x 768 | 800 x 600 | 1024 x 768 |
| Max. Color | 262K 16.2M | 16.2M | 16.2M |
| Luminance (cd/m ²) | 450 500 | 1000 | 1000 |
| View Angle | 178(H)/178(V) 178(H)/178(V) | 178(H)/178(V) | 160(H)/140(V) |
| Contrast | 1500:1 1000:1 | 700:1 | 700:1 |
| Backlight Lifetime | 50,000 hrs 30,000 hrs | 50,000 hrs | 50,000 hrs |
| Touch Screen | | | |
| Type | Resistive Touch (for AR Model) Projected Capacitive Touch (for AP Model) Glass (for AG model) | | |
| Interface | USB | | |
| Light Transmission(%) | Resistive Touch: over 80% Projected Capacitive Touch: over 90% | | |

Dimensions



| Power | |
|--------------------------|---------------------------------|
| Power Input | DC 9~36V |
| Power Consumption | ARCHMI-812AR: 29W (MAX) |
| Mechanical | |
| Color | RAL 9007 |
| Construction | Aluminum die-casting chassis |
| Mounting | Panel Mount, VESA 100 x 100 |
| Dimensions (WxHxD) | 319 x 245 x 51.7 mm |
| IP Rating | IP66 Compliant Front Bezel |
| Net Weight | 2.8 kg |
| Environmental | |
| Operating Temperature | 0~50°C / -20~60°C (option) |
| Storage Temperature | -30~70°C |
| Humidity | 10 to 95%@ 40°C, non-condensing |
| Certificate | CE/FCC Class A |
| Operating System Support | |
| Windows 10 IoT | |

*PoE limitation: CPU turbo off, rear I/O no loading, 70% LED backlight, PSE cable length < 50m

