

XDE32-215WP25HIG1E

21.5 Inch Closed Frame Touch Monitor



Features

- P-Cap technology
- Sleek appearance
- Easy integration and low maintenance
- Excellent performance, accuracy and reliability

Introduction

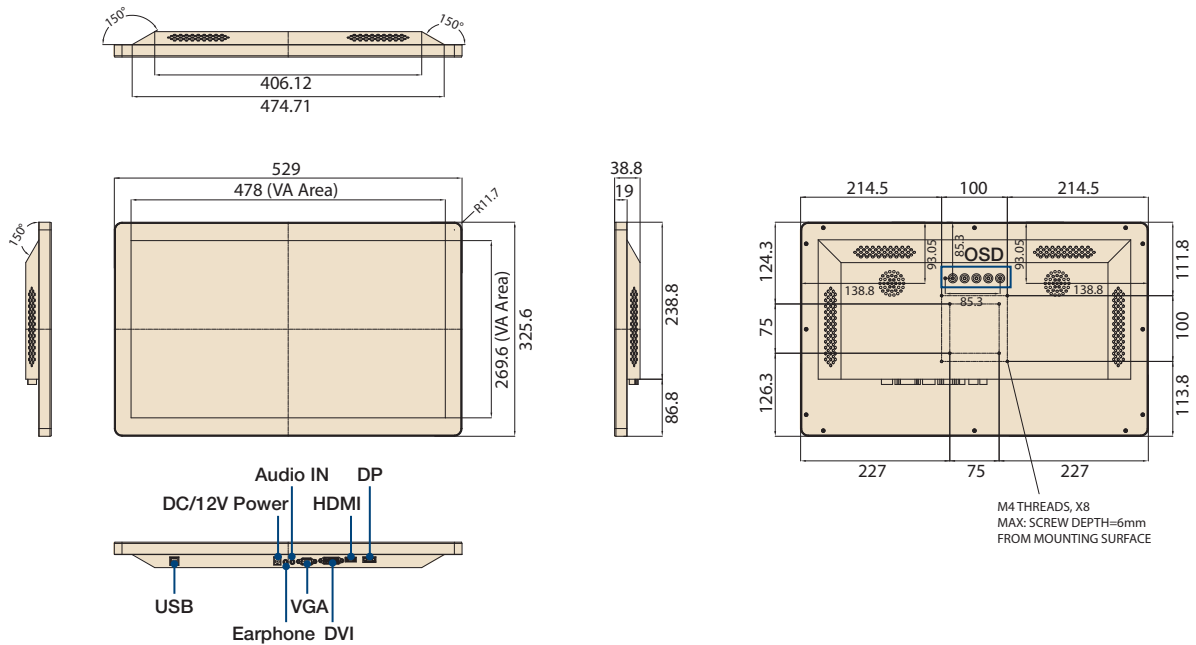
XDE32-215WP25HIG1E is a LED industrial Touchmonitor, with low power consumption, ultra-thin body design, high resolution display and excellent multi-touch interactive experience. Compared to the average consumer monitor, the XDE32-215 industrial-grade high performance and professional design is better suited for applications in industries such as retail, gaming, kiosk, self-service, finance, transport, conference.

Specifications

Name	21.5 Inch Closed Frame Touch Monitor	
Model	XDE32-215WP25HIG1E	
LCD Panel Parameters	Display Technology	Active Matrix TFT-LCD With LED Backlight
	Aspect Ratio	16:9
	Active Area (W x H)	476.64 x 268.11mm
	Native Resolution	1920 x 1080 @ 60Hz
	Response Time (Typ.)	18ms
	Display Colors	16.7million
	Luminance (Typ.)	250nits; with P-Cap 210nits
	Contrast Ratio (Typ.)	3000:1
Viewing Angle (Typ.)	Horizontal (left/right) CR \geq 10 89°/89° Vertical (up/down) CR \geq 10 89°/89°	
Touch Screen Parameters	Touch Technology	Projected Capacitive (P-Cap)
	Surface Treatment	Tempered or Chemically Strengthened Optional: Anti-Glare
	Active Area(W x H)	476.4 x 268.1 \pm 0.3mm
	Thickness(Total)	2.4 \pm 0.3mm
	Light Transmission	\geq 83%
	Response Time	8ms
	Touch Screen Interface	USB
Touch Point	10	
Overall Parameters	Case/Bezel Color	Black
	Mounting Options	VESA: 75 x 75 mm 100 x 100 mm
	Outline Dimensions (W x H x D)	529mm x 325.6mm x 38.8mm
	Power Supply	External Adapter: 100-240V AC, 50-60 Hz Input Voltage Range: +12V _{DC} \pm 5%
	On Screen Display (OSD)	Control (Back): Power, Auto, Up, Down, Menu
	Power Consumption	MAX: 20W
	Speaker	NA
	Webcam	NA
	Operating Altitude	\leq 3000m
	Temperature Range	Operating: 0 °C to 40 °C, storage: -20 °C to 60 °C
	Humidity (Non Condensing)	Operating: 20% to 80%, storage: 10% to 90%
	I/O	VGA,DVI,DP,HDMI, USB (Type B)
	Accessories	Cables: VGA x 1, USB x 1, 1.5m Length
	Carton Box Dimensions	660mm (W) x 460mm (H) x 180mm (D)
	Weight	Net: 5.8kg Gross: 8.1kg
	MTBF	50,000 hours demonstrated
	Agency Approvals	CCC, CE , FCC
Warranty	3 years	

Dimensions

Unit: mm



Ordering Information

Model	Description
XDE32-215WP25HIGES – Sample to 49 units	21.5", 16:9, 250nits, P-Cap, USB, VGA & DVI, Black
XDE32-215WP25HIG1E – MOQ 50+	21.5", 16:9, 250nits, P-Cap, USB, VGA & DVI, Black

Contact sales for other options

Optional Accessories

Model	Description	
Adaptor	12V/3.33A, DC Cable: 1500mm, DC Jet Ø2.5mm	
DVI Cord	1500mm	
Power Cord	UK	1500mm
	EU	
	US	