



SSD3665-I V1

36.6" Resizing LCD, 1000 nits LED backlight, 1920 x 290 ultra-wide aspect ratio 16:2.4

The SSD3665-I is a 36.6 inch color TFT-LCD display with special aspect ratio 16:2.4 and wide resolution 1920 x 290. It is Litemax's Spanpixel series product which designed for high brightness 1000 nits with power efficiency LED backlight. It provides LCD panel with specific aspect ratios and sunlight readable for digital signage, public transportation, exhibition hall, department store, and vending machine.

Key Features

- Resizing LCD
- Ultra-Wide Screen (16 : 2.4)
- High Brightness 1000 nits
- Sunlight Readable
- LED Backlight
- Low Power Consumption
- Slim Bezel
- BL MTBF: 100,000 hours



Specifications

| Model Name | SSD3665-I V1 |
|-------------------------|--|
| Description | 36.6" Resizing LCD, 1000 nits LED backlight, 1920x290 |
| Screen Size | 36.6" |
| Display Area (mm) | 919.296(H) x 138.8(V) |
| Brightness | 1000 cd/m ² |
| Resolution | 1920x290 |
| Aspect Ratio | 16 : 2.4 |
| Contrast Ratio | 7500 : 1 |
| Pixel Pitch (mm) | 0.4788(H) x 0.4788(V) |
| Pixel Per Inch (PPI) | 52 |
| Viewing Angle | 178°(H),178°(V) |
| Color Saturation (NTSC) | 82% |
| Display Colors | 16.7M |
| Response Time (Typical) | 9.5ms |
| Video Interface | VGA,DVI-D,HDMI |
| Input Power | DC12V |
| Power Consumption | 24W |
| Dimensions (mm) | 962.8x 177 x 56.2 |
| Bezel Size(U/B/L/R) | 16.6/16.6/19.25/19.25 mm |
| Weight (Net) | 6.3 kg |
| Mounting | VESA 75x75mm, 400X75mm, |
| OSD Key | 4 Keys (Power Switch, Menu, +, -) |
| OSD Control | Brightness, Color, Contrast, Auto Turing, H/V Position...etc |
| Operating Temperature | 0 °C ~ 50 °C |
| Storage Temperature | -20 °C ~ 60 °C |
| Product Approval | CE,FCC |

SSD= Panel+ LED Driving Board + AD Control Board + Housing

Specifications are subject to change without notice.

All brands or product names are trademarks or registered trademarks of their respective companies.



Mechanical Drawing

Outline Dimensions

Unit: mm

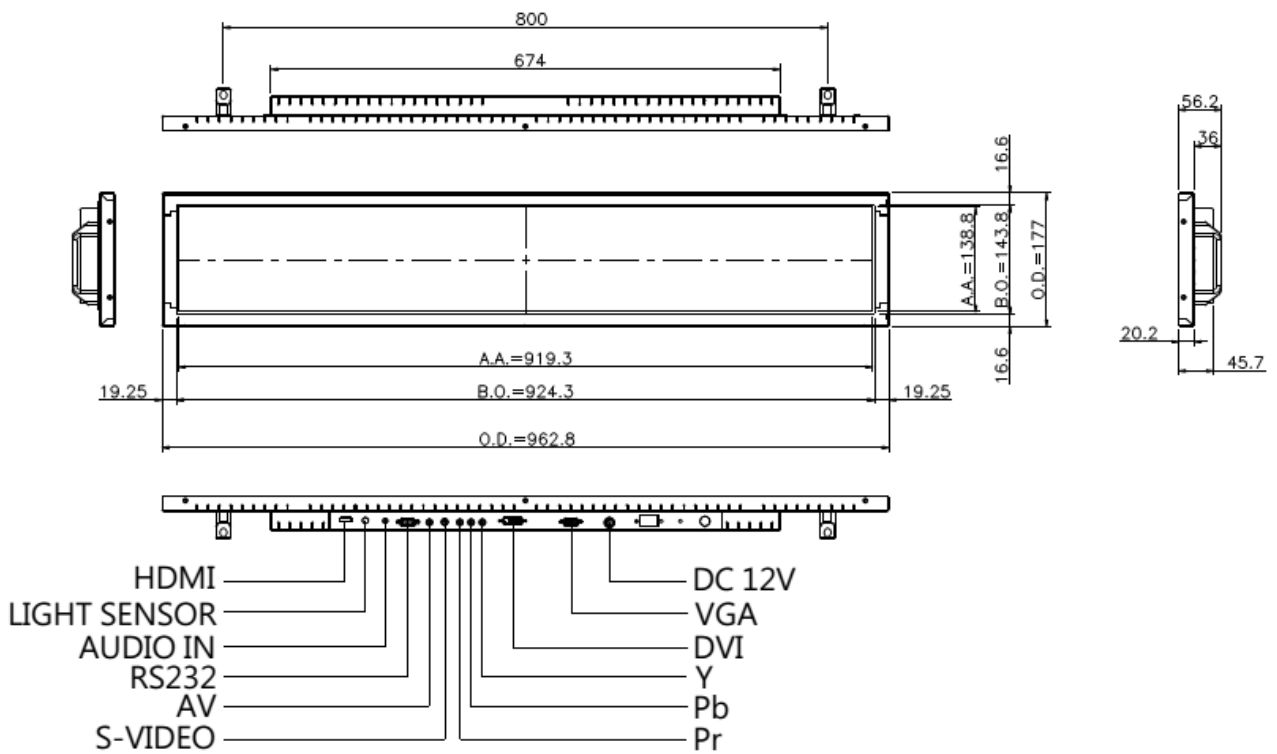
O.D. : Outline Dimension

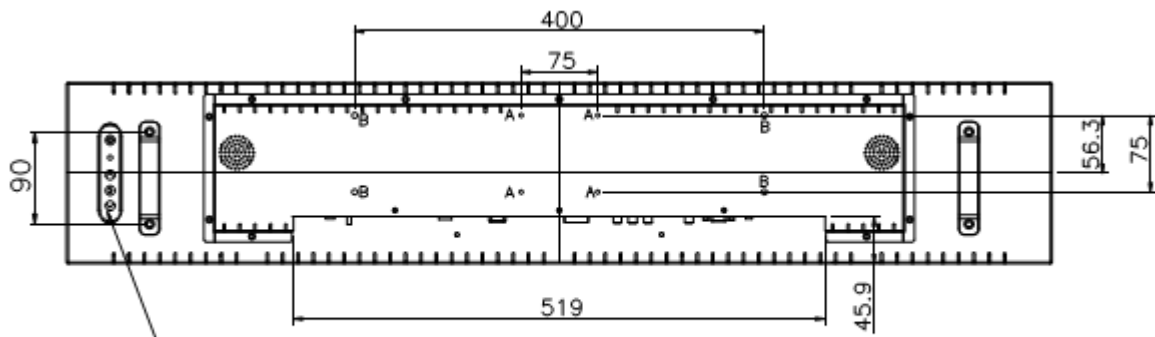
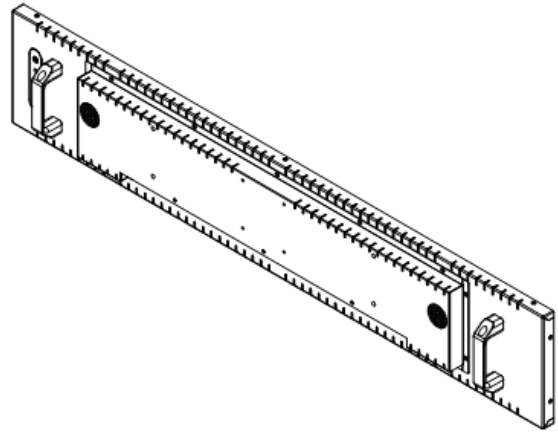
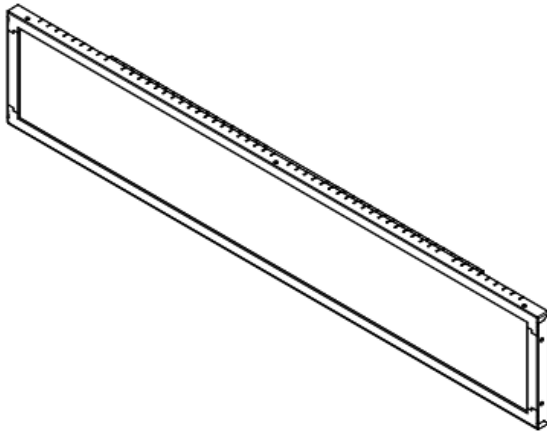
B.O. : Bezel Opening

A.A. : LCD Active Area

A : 4-M4_USER HOLE_MAX_DEPTH=5mm

B : 4-M6_USER HOLE_MAX_DEPTH=5mm





MEMBRANE 4-KEY



Ordering Information

| Part Number | Description |
|------------------------|--|
| SSD3665-INB-G21 | 36.6", 1000nits, 1920*290, LID36A, AD2662GDHMR, O/B, DC12V, 2in1, V1 |

Optional Accessories

| Part Number | Description |
|---------------------|---|
| 840612051210 | ADAPTER, AC/DC, 12V/5.4A, 65W, Atech OEM A065112-TDx.4P SLIDING CAP,P |
| 810618301010 | CABLE.POWER.AC.1830mm USA type |
| 810618301090 | CABLE,POWER,AC,1830mm Europe type |
| 810618301050 | CABLE.POWER.AC.1830mm UK type |
| 810618301170 | CABLE.POWER,AC,1830mm Australia type |
| 810618301031 | CABLE.POWER.AC.1830mm Japan type |
| | |

By Customer Request

| | |
|--------------|---------------------------------|
| Glass | Tempered glass, AR coating..... |
|--------------|---------------------------------|