



Features

- ARM Based HMI
- Fanless design
- Flat front panel touch screen
- Freescale i.MX6 DualLite/ARM Cortex A9 processor
- Onboard 1GB DDR3 DRAM
- Onboard 4GB eMMC Flash
- DC 9~36V wide-ranging power input
- LED backlight LCD
- Resistive touch window/Projected capacitive touch

Specifications

System	
CPU	Freescale i.MX6 DualLite ARM Cortex A9 processor 1.0GHz
Memory	Onboard 1GB DDR3 DRAM
External IO Port	
USB	2 x USB 2.0 type A 1 x USB 2.0 (Micro B Type)
Serial/Parallel	1 x RS-232/422/485 DB-9, COM1
LAN	1 x LAN Port
Power	1 x 9~36V DC Power Input via 1 x 3-pin Terminal Block
Option	TB-508 WIFI/3G Module via Mini-PCle

Internal IO Port	
Internal IO Port	1 x SIM card slot 1 x Micro SD slot

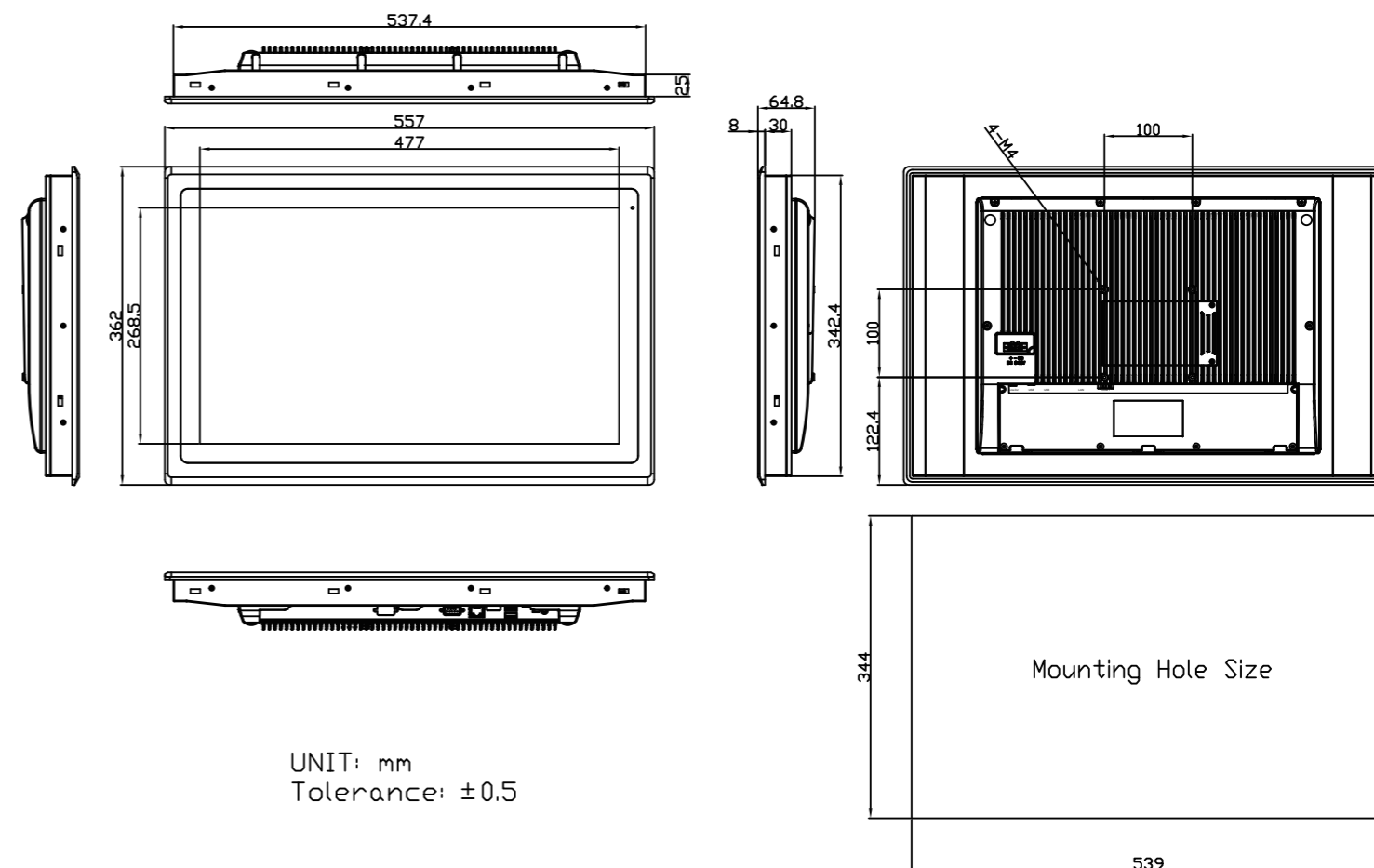
Storage Space	
Storage	Onboard 4GB eMMC NAND Flash

Expansion	
On board expansion bus	1 x Mini PCIe slot full size

Display	
Display Type	21.5" TFT-LCD
Max. Resolution	1920 x 1080
Max. Color	16.7M
Luminance (cd/m ²)	300
Viewing Angle (H°/V°)	178 (H) / 178 (V)
Contrast Ratio	3000: 1
Backlight Lifetime	50,000 hrs

Touch screen- Resistive Touch Window Type	
Interface	SPI
Light Transmission(%)	Over 80%

Dimensions



UNIT: mm
Tolerance: ±0.5

Touch screen-Projected Capacitive Touch Type	
Interface	USB
Light Transmission(%)	Over 90%

Power	
Power Input	9~36V DC
Power Consumption	Max: 10.8W

Mechanical	
Front Bezel	Aluminum / Panel Mounting
Rear Bezel	Aluminum / VESA 100 x 100
Chassis Color	RAL 9007
IP Rating	IP66
Dimensions	557 x 362 x 64.8 mm

Environmental	
Operating Temperature	0~50°C
Storage Temperature	-20~60°C
Storage Humidity	10 to 90% @ 40°C, non-condensing
Certificate	CE / FCC Class A

Operating System Support	
Android 6.0.1 / Linux 4.1.15 + QT 5.6.2	

