



## DLD5506-L V1 55" TFT LCD, LED Backlight 1200nits, UHD(3840x2160)

The DLD5506-L is a 55 inch industrial grade sunlight readable LCD, with high brightness 1200 nits and high color saturation, it produce sharp images, crisp text and lifelike colors. The Durapixel LED backlight technology ensures high reliability and low power consumption, suitable for outdoor application, kiosk, factory automation, military, transportation and gaming application.

### Key Features

- High Brightness 1200 nits
- Sunlight Readable
- LED Backlight
- Low Power Consumption
- Slim Bezel
- BL MTBF: 100,000 hours



### Specifications

<b>Model Name</b>	<b>DLD5506-L V1</b>
<b>Description</b>	55" TFT LCD, LED Backlight 1200 nits, UHD (3840x2160)
<b>Screen Size</b>	55"
<b>Display Area (mm)</b>	1209.6(H) x 680.4(V)
<b>Brightness</b>	1200 cd/m <sup>2</sup>
<b>Resolution</b>	3840x2160
<b>Aspect Ratio</b>	16 : 9
<b>Contrast Ratio</b>	1200 : 1
<b>Pixel Pitch (mm)</b>	0.315(H) x 0.315(V)
<b>Pixel Per Inch (PPI)</b>	80
<b>Viewing Angle</b>	178°(H),178°(V)
<b>Color Saturation (NTSC)</b>	80%
<b>Display Colors</b>	1.07G
<b>Response Time (Typical)</b>	8ms
<b>Panel Interface</b>	V-by-One
<b>AD Board Input Interface</b>	VGA, DVI-D, HDMI, DP
<b>Input Power</b>	AC100~240V
<b>Power Consumption</b>	180W
<b>OSD Key</b>	5 Keys (Power Switch, Menu, +,Exit, -)
<b>OSD Control</b>	Brightness, Color, Contrast, Auto Turing, H/V Position...etc
<b>Dimensions (mm)</b>	1242.6 x 713.6 x 74.3
<b>Bezel Size(U/B/L/R)</b>	15.3/15.3/15.3/15.3 mm
<b>Weight (Net)</b>	34kg
<b>Mounting</b>	400x300, 400x200
<b>Operating Temperature</b>	0 °C ~ 50 °C
<b>Storage Temperature</b>	-20 °C ~ 60 °C

**DLD**= Panel+ LED Driving Board + AD Control Board + Housing

*Specifications are subject to change without notice.*

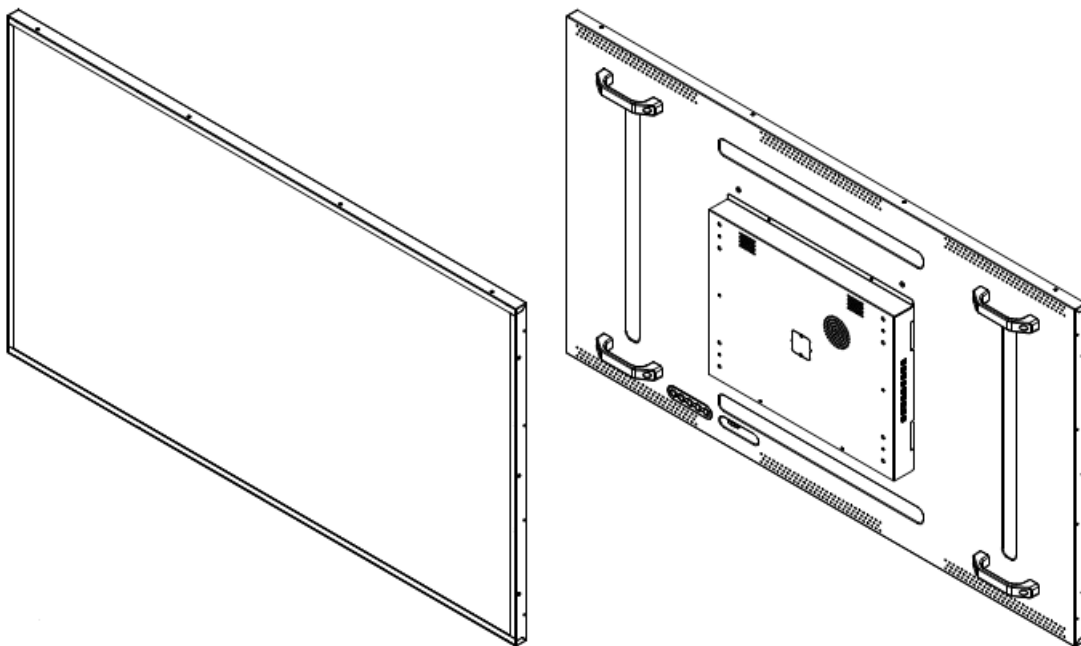
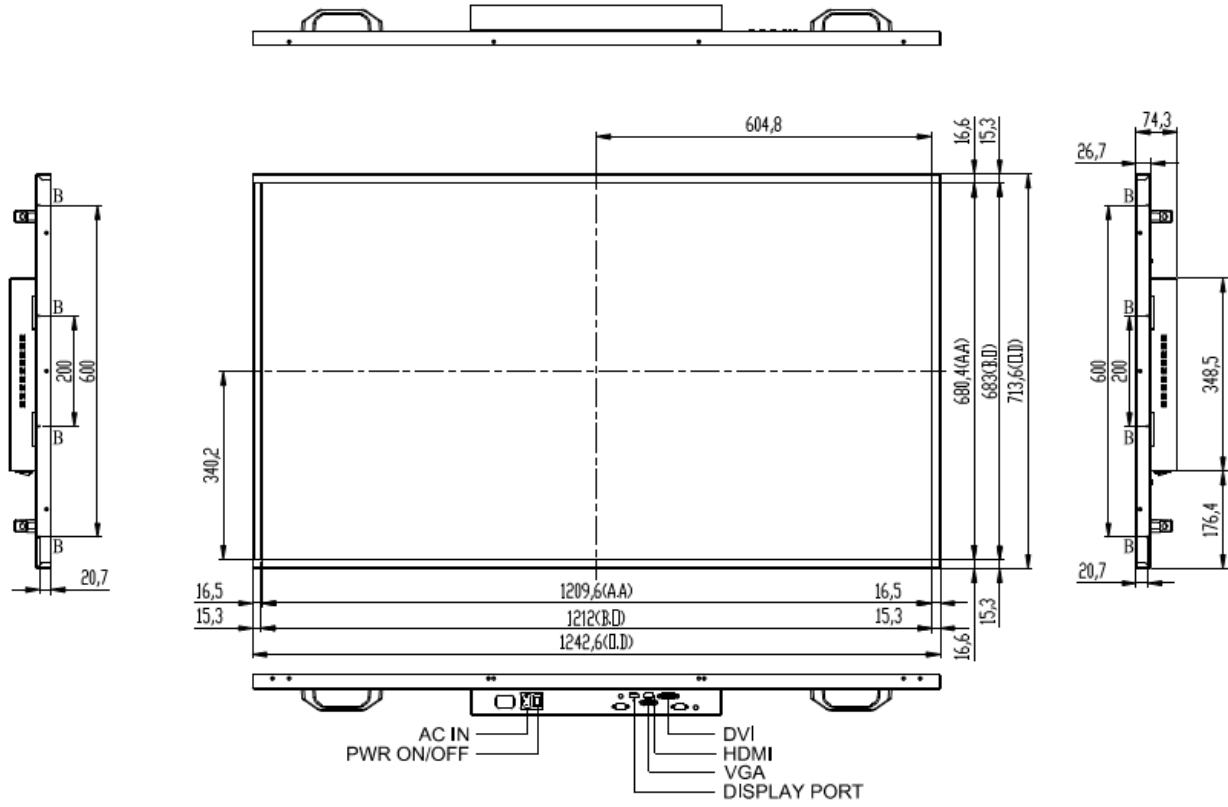
*All brands or product names are trademarks or registered trademarks of their respective companies.*

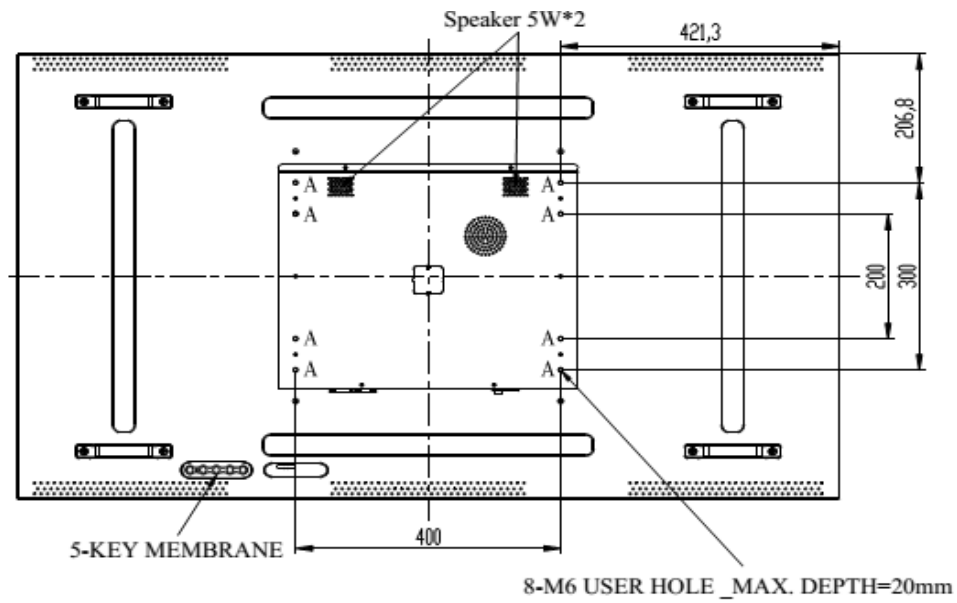


## Mechanical Drawing

### Outline Dimensions

Unit: mm





Note:

O.D : Outline Dimension

B.O : Bezel Opening

A.A : LCD Active Area

A:8-M6 USER HOLE \_MAX. DEPTH=20mm

B:8-M4 USER HOLE \_MAX. DEPTH=10mm



### Ordering Information

Part Number	Description
<b>DLD5506-LNU-M01</b>	55",1200nits,UHD,LID55A,AD9131GDHP,speaker*2,O/B,AC100~240V,V1

### Optional Accessories

Part Number	Description
<b>810618301010</b>	CABLE.POWER.AC.1830mm USA type
<b>810618301090</b>	CABLE,POWER,AC,1830mm Europe type
<b>810618301050</b>	CABLE.POWER.AC.1830mm UK type
<b>810618301170</b>	CABLE.POWER,AC,1830mm Australia type
<b>810618301031</b>	CABLE.POWER.AC.1830mm Japan type

### By Customer Request

<b>Touch</b>	PCT (Multi-Touch)
<b>Glass</b>	Tempered glass, AR coating.....